



**ABAX
KINGFISHER**

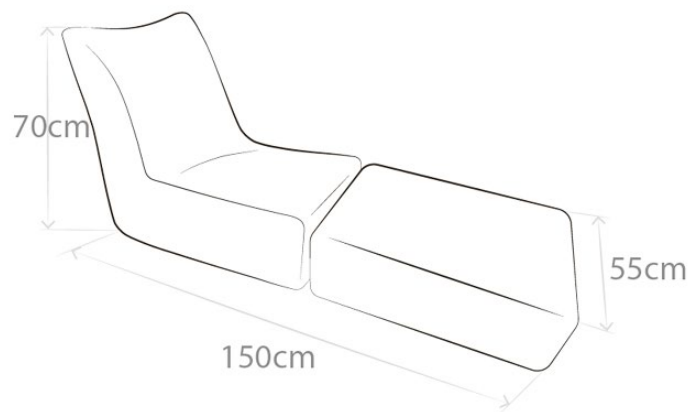


RECLINE

PRODUCT DATA SPECIFICATION

Recline Beanbag

Description																	
DIMENSIONS	Overall Dimensions: 550mmW x 1500mmD x 700mmH																
BEANS REQUIRED	300 Litres of Beans																
MATERIALS & CONSTRUCTION	The bean bag is made from Marine grade vinyl fabrics. It is stitched together with high grade 25 ply thread																
FEATURES	Indoor or outdoor use Suits any location Made in Australia Fire Retardant Waterproof Handmade UV Proof																
WARRANTY	Lifetime Warranty																
LEAD TIME	35 Working Days																
FINISH	<table border="0"> <tr> <td>White</td> <td>Teal</td> </tr> <tr> <td>Cream</td> <td>Green</td> </tr> <tr> <td>Beige</td> <td>Chocolate</td> </tr> <tr> <td>Light Grey</td> <td>Purple</td> </tr> <tr> <td>Charcoal</td> <td>Pink</td> </tr> <tr> <td>Black</td> <td>Red</td> </tr> <tr> <td>Sky Blue</td> <td>Orange</td> </tr> <tr> <td>Dark Blue</td> <td>Yellow</td> </tr> </table>	White	Teal	Cream	Green	Beige	Chocolate	Light Grey	Purple	Charcoal	Pink	Black	Red	Sky Blue	Orange	Dark Blue	Yellow
White	Teal																
Cream	Green																
Beige	Chocolate																
Light Grey	Purple																
Charcoal	Pink																
Black	Red																
Sky Blue	Orange																
Dark Blue	Yellow																
CUSTOMISABLE	Call Abax Kingfisher to get a personalised beanbag made to your liking! Call us on 1300 300 369																
CERTIFICATIONS	N/A																



Due to Constant innovation, products may be subject to design and specification changes without notice. Copyright © 2022

Fabric Colours



Due to Constant innovation, products may be subject to design and specification changes without notice. Copyright © 2022